

## Rotary Pulse Generator Model RE1B-60C

## Instruction Manual

### Description

Shimpo RE1B-60C is a solid state rotary pulse generator. This unit produces 60 digital pulses per shaft revolution. It is in a heavy duty aluminum die-cast housing with an 8mm shaft for long-life dependable operation.

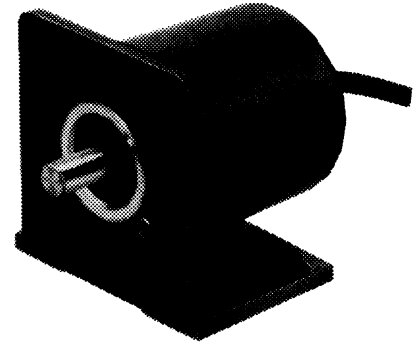
### Specifications

Resolution:	60 pulses per revolution
Maximum speed:	5000 RPM
Power supply:	4.75 - 30VDC, 50mA (max)
Output Voltage:	logic "1" ... $V_s - 2.5V$ , 10mA (max) logic "0" ... less than 0.4V, 30 mA (max)
Shaft torque:	0.41 oz-in, 30g-cm (max)
Shaft allowable load:	Overhung load 11 lbs. Thrust load 6.6 lbs.
Cable Length:	10 ft.
Operation Temp.:	14° to 122°F (-10° to 50°C)
Weight:	8.8 oz (250g)
Construction:	Die-cast aluminum housing
Mounting:	Base or face mounting

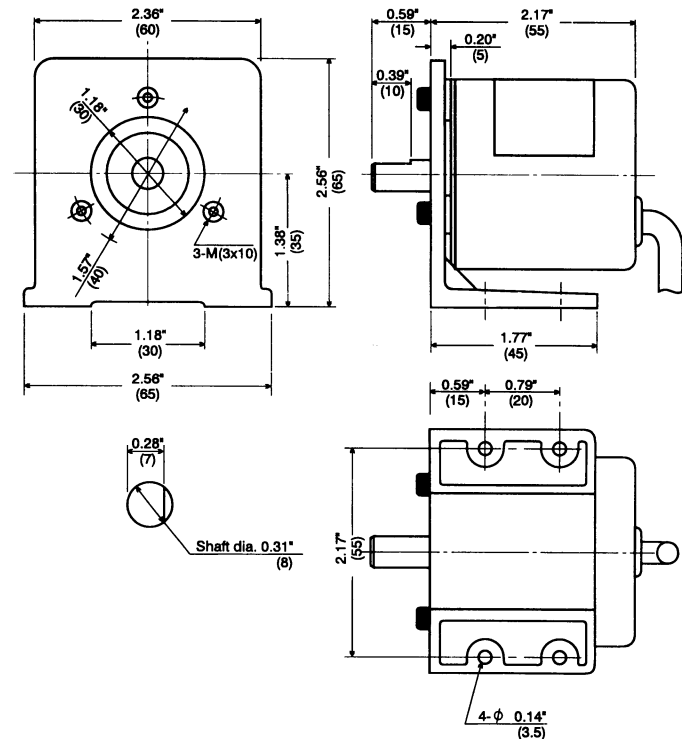
**Note:** Other than 60 pulses per revolution (PPR) are available up to 3,600PPR. Please consult Shimpo.

### Connections

BRAID	EARTH GND
RED	+VDC
GREEN	SIGNAL
BLACK	GND



### Dimensions



# SHIMPO

## Rotary Pulse Generator Model RE1B-600C

## Instruction Manual

### Description

Shimpo RE1B-600C is a solid state rotary pulse generator which produces 600 digital pulses per shaft revolution.

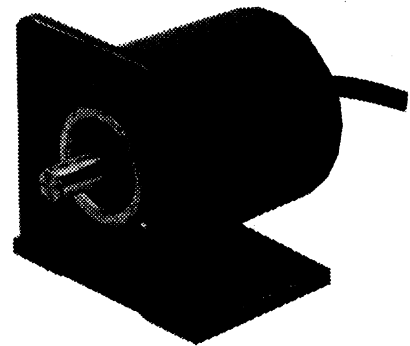
### Specifications

Resolution:	600 pulses per revolution
Maximum speed:	3000 RPM
Power supply:	4.75 - 30VDC, 50mA (max)
Output Voltage:	logic "1" ... $V_s - 2.5V$ , 10mA (max) logic "0" ...less than 0.4V, 30 mA (max)
Shaft torque:	0.41 oz-in, 30g-cm (max)
Shaft allowable load:	Overhung load 11 lbs. Thrust load 6.6 lbs.
Cable Length:	10 ft.
Operation Temp.:	14° to 122°F (-10° to 50°C)
Weight:	8.8 oz (250g)
Construction:	aluminum housing
Mounting:	Base or face mounting

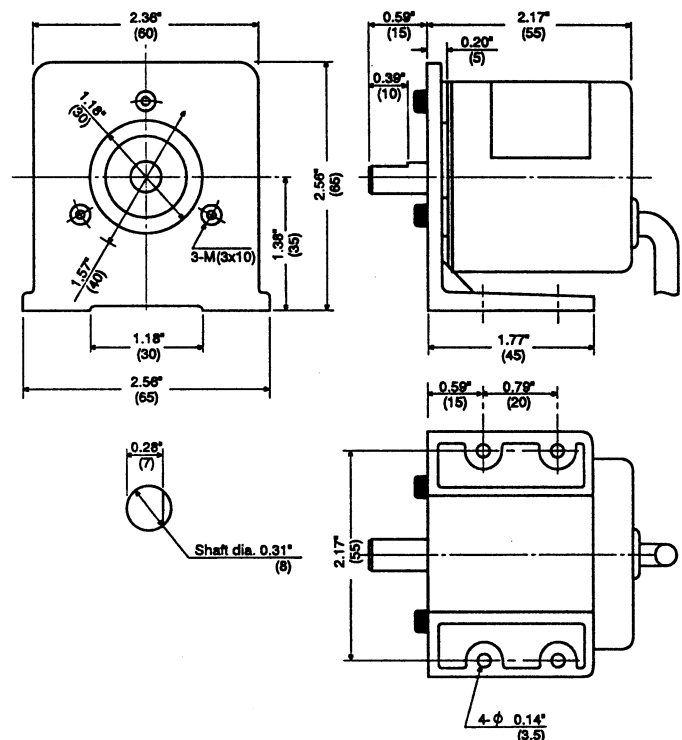
**Note:** Additional PPR available up to 1000 PPR. Please consult Shimpo.

### Connections

BRAID	EARTH GND
RED	+VDC
GREEN	SIGNAL
BLACK	GND



### Dimensions



## Rotary Pulse Generator Model RE1 B-1000C

## Instruction Manual

### Description

Shimpo RE1B-1000C is a solid state rotary pulse generator which produces 1000 digital pulses per shaft revolution.

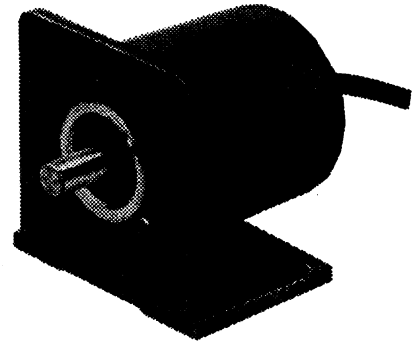
### Specifications

Resolution:	1000 pulses per revolution
Maximum speed:	1800 RPM
Power supply:	4.75 - 30VDC, 50mA (max)
Output Voltage:	logic "1" ... $V_s - 2.5V$ , 10mA (max) logic "0" ...less than 0.4V, 30 mA (max)
Shaft torque:	0.41 oz-in, 30g-cm (max)
Shaft allowable load:	Overhung load 11 lbs. Thrust load 6.6 lbs.
Cable Length:	3 ft.
Operation Temp.:	14° to 122°F (-10° to 50°C)
Weight:	8.8 oz (250g)
Construction:	Die-cast aluminum housing
Mounting:	Base or face mounting

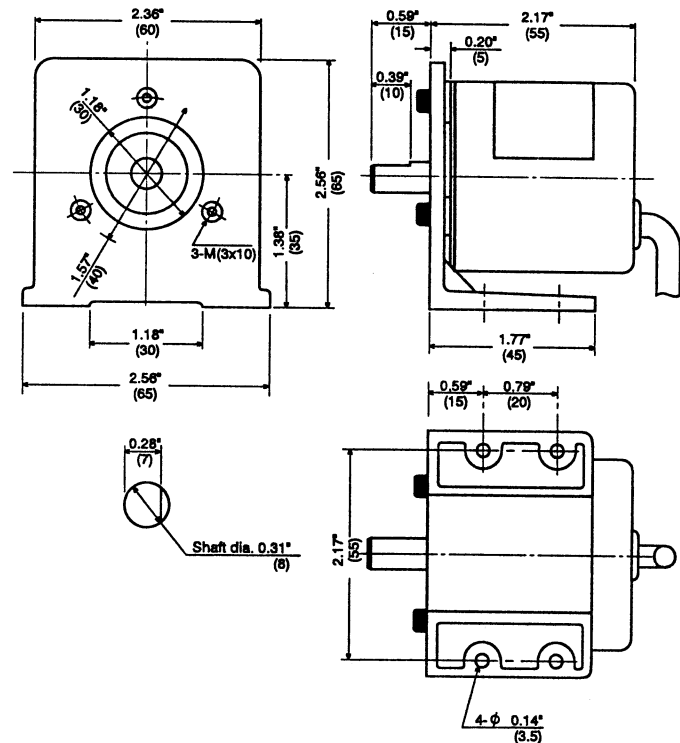
**Note:** Additional PPR available.

### Connections

BRAID	EARTH GND
RED	+VDC
GREEN	SIGNAL
BLACK	GND



### Dimensions



# ROTARY PULSE GENERATOR

MODEL RE2B-30C

## Description:

The Shimpo RE2B-30C is a quadrature rotary pulse generator which produces two outputs that exhibit a quadrature relationship to one another. A zero position output is also available to mark the reference position of the shaft.

## Specifications:

Resolution: 30 pulses per revolution

Maximum Speed: 5000 rpm

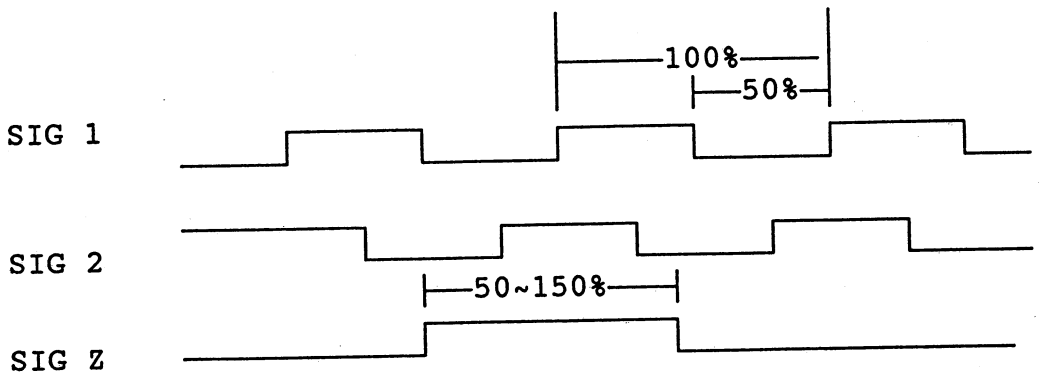
Power Supply: 4.75~30VDC, 60mA (max.)

Output Signal: logic "1"... Supply Voltage minus 2.5V or more, 10mA (max.)  
logic "0"... less than 0.4V, 30mA (max.)

Duty Cycle: 50% ( $\pm 25\%$ )

Quadrature Output Phase:  $90^\circ$  ( $\pm 45^\circ$ )

Zero Signal Width: 50~150% of the signal cycle.



Shaft Torque: 0.41 oz-in. (30g-cm) max.

Shaft Allowable Load: Overhung load: 11 lbs. (5Kg)  
Thrust load: 6.6 lbs. (3Kg)

Cable Length: 10 feet

Operation Temperature:  $14^\circ$ - $122^\circ$ F ( $-10^\circ$ C -  $50^\circ$ C) non-condensing

# ROTARY PULSE GENERATOR

MODEL RE2B-600C

## Description:

The Shimpo RE2B-30C is a quadrature rotary pulse generator which produces two outputs that exhibit a quadrature relationship to one another. A zero position output is also available to mark the reference position of the shaft.

## Specifications:

Resolution: 600 pulses per revolution

Maximum Speed: 5000 rpm

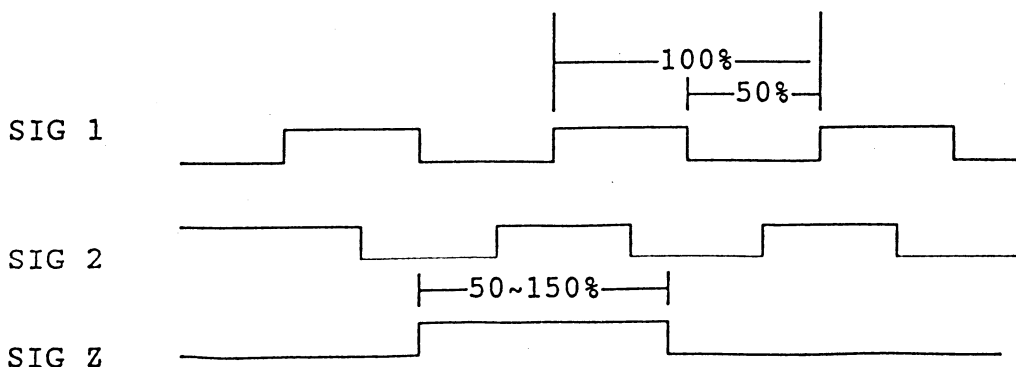
Power Supply: 4.75~30VDC, 60mA (max.)

Output Signal: logic "1"... Supply Voltage minus 2.5V or  
more, 10mA (max.)  
logic "0"... less than 0.4V, 30mA (max.)

Duty Cycle: 50% ( $\pm 25\%$ )

Quadrature Output Phase:  $90^\circ$  ( $\pm 45^\circ$ )

Zero Signal Width: 50~150% of the signal cycle.



Shaft Torque: 0.41 oz-in. (30g-cm) max.

Shaft Allowable Load: Overhung load: 11 lbs. (5Kg)  
Thrust load: 6.6 lbs. (3Kg)

Cable Length: 1.6 feet

Operation Temperature:  $14^\circ$ - $122^\circ$ F ( $-10^\circ$ C -  $50^\circ$ C) non-condensing