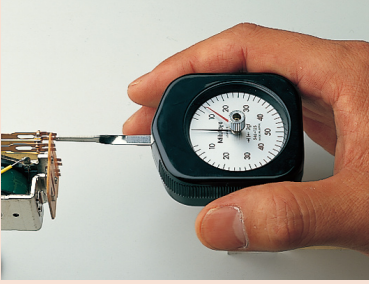


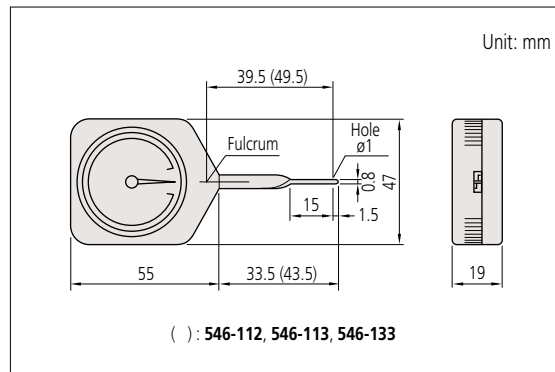
Measuring contact force on a relay



Contact Force Gage SERIES 546

- Contact Force Gages are widely used to determine the measuring force applied by an instrument to a workpiece, as well as contact forces of electrical relays, micro-switches, valves and precision springs.
- Thanks to the miniature anti-friction bearing in the fulcrum, stable measurement is guaranteed.
- 2 types are available: Standard and peak hold.

DIMENSIONS



SPECIFICATIONS

Standard			
Order No.	Graduation	Range	Accuracy
546-112	2 mN	6 mN - 50 mN	±0.5 (division)
546-113	5 mN	10 mN - 100 mN	
546-114	10 mN	30 mN - 300 mN	
546-115	0.02 N	0.06 N - 0.5 N	
546-116	0.05 N	0.1 N - 1 N	
546-117	0.05 N	0.15 N - 1.5 N	
546-118	0.1 N	0.3 N - 3 N	
546-119	0.2 N	0.6 N - 5 N	

Peak hold			
Order No.	Graduation	Range	Accuracy
—	—	—	—
546-133	5 mN	10 mN - 100 mN	±0.5 (division)
546-134	10 mN	30 mN - 300 mN	
546-135	0.02 N	0.06 N - 0.5 N	
546-136	0.05 N	0.1 N - 1 N	
546-137	0.05 N	0.15 N - 1.5 N	
546-138	0.1 N	0.3 N - 3 N	
546-139	0.2 N	0.6 N - 5 N	