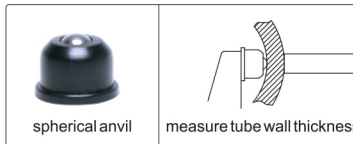
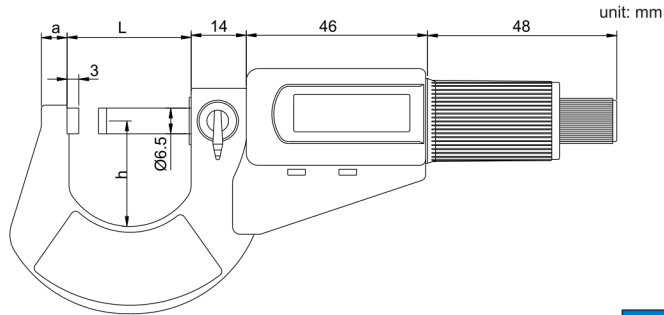


## DIGITAL OUTSIDE MICROMETER

## SERIES 312



312-001-03



- ◆ Resolution: 0.001mm/0.00005"
- ◆ Button: ON/OFF/SET, ABS/INC/UNIT
- ◆ Carbide measuring faces
- ◆ Ratchet stop
- ◆ Setting standards are included (except 312-001-03)

Code	Range	Accuracy	a	h	L
312-001-03	0-25mm/0-1"	±2μm	6	27.5	32
312-002-03	25-50mm/1-2"	±2μm	8	37	57
312-003-03	50-75mm/2-3"	±3μm	8	50	82
312-004-03	75-100mm/3-4"	±3μm	10	61	107

